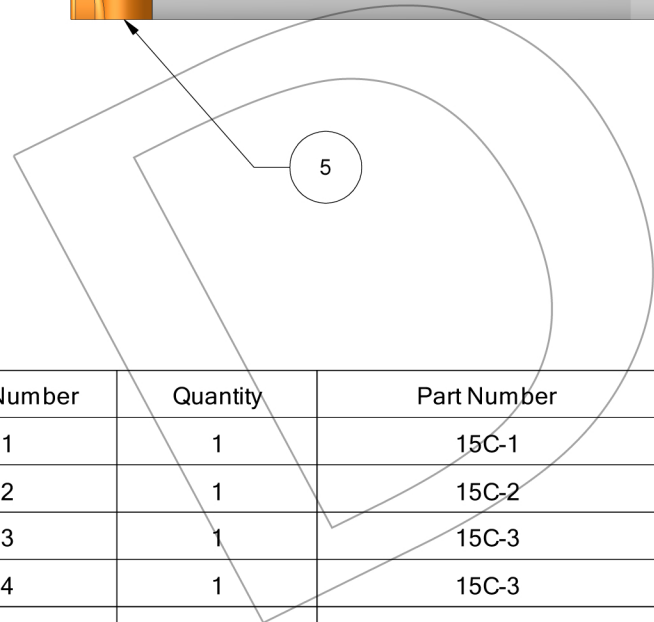
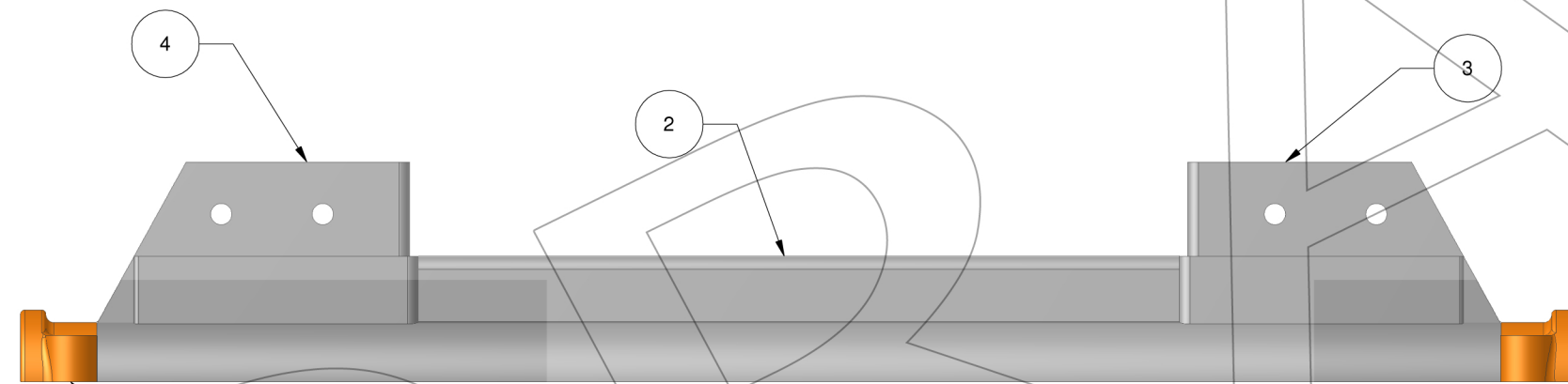
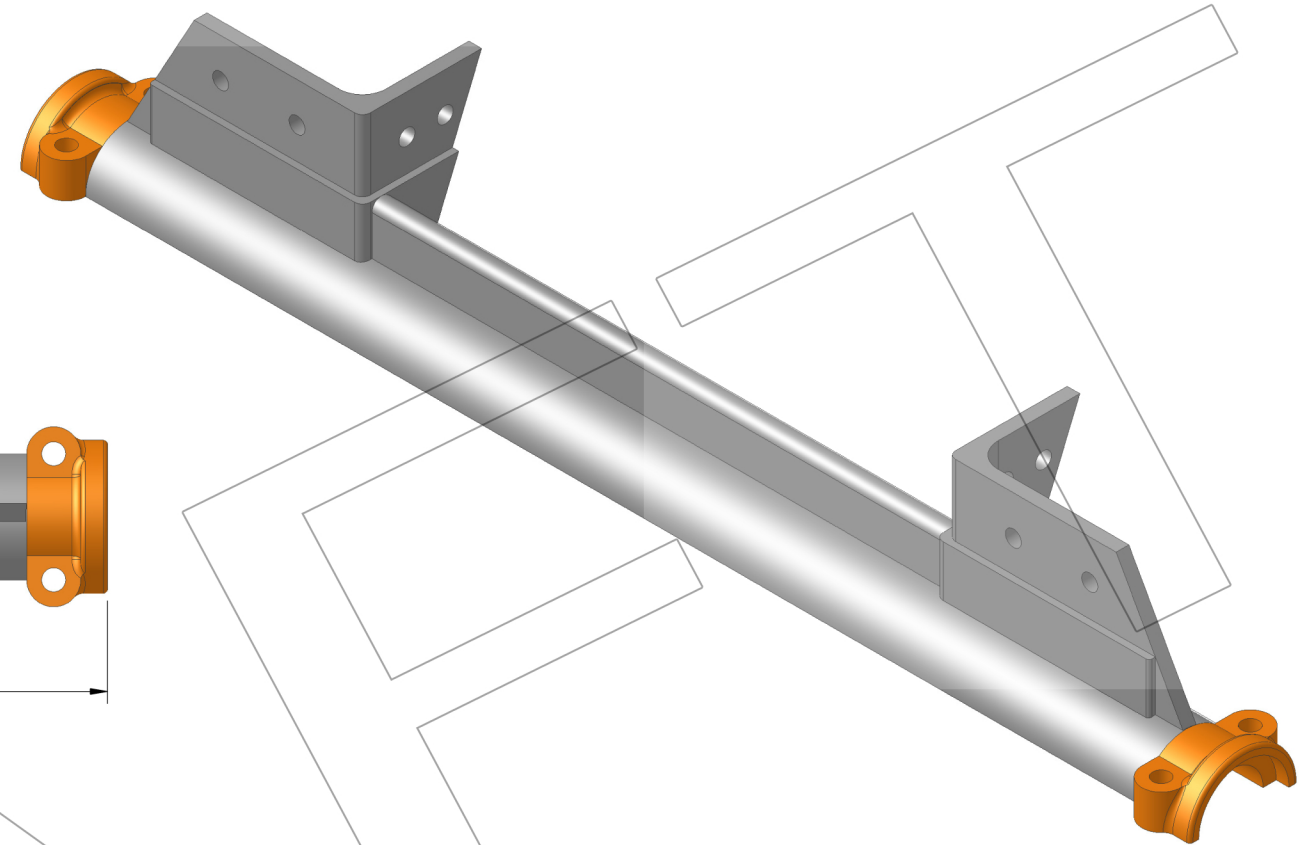
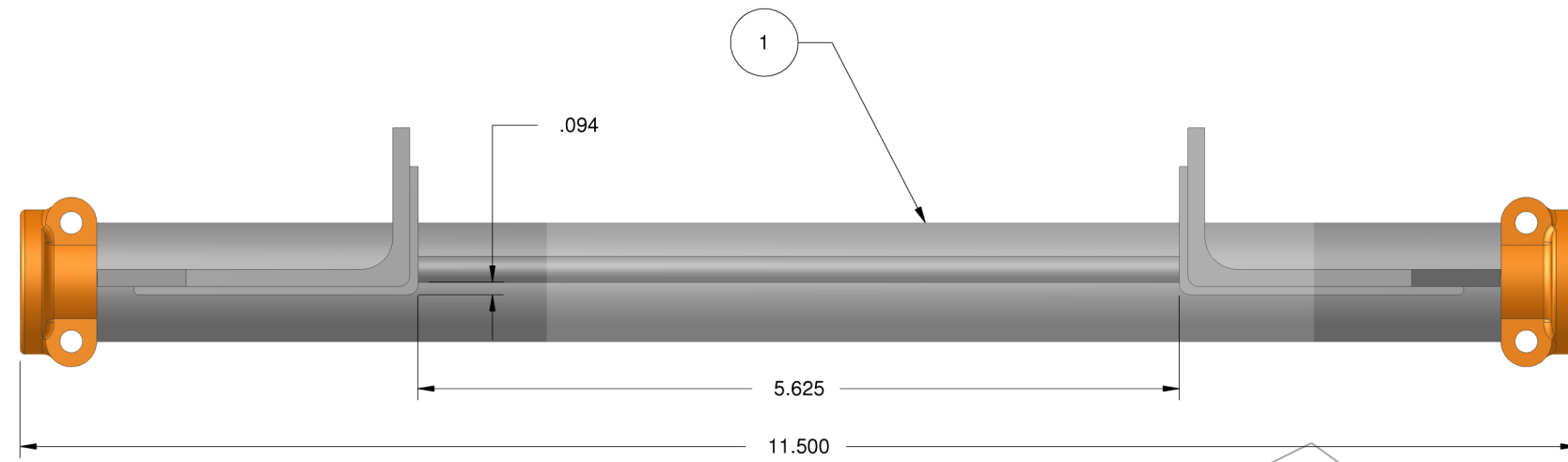


Notes:
Hind Bolster is silver soldered construction



LIGHTNING BALANCED ENGINE

MORRISON & MARVIN ENGINE WORKS

Box 555 Benton City, WA 99320 USA

Item Number	Quantity	Part Number	Part Name	Revision	Sheet Number
1	1	15C-1	Support Tube	1	109
2	1	15C-2	Rib	1	109
3	1	15C-3	Attachment Right	1	109
4	1	15C-3	Attachment Left	1	109
5	2	6C-4	Axle Clip	1	107

DESIGNED BY Roland Morrison / Marvin Hedberg		DESCRIPTION Hind Bolster		
DRAWN BY Dave Otto	DATE 11/21/2015	SIZE B		REV 1
MATERIAL .75 : 1		DWG NO.	SHEET 15	